



Instruction Manual For enLux 6K Series OutdoorArea Light

Important

When using electrical equipment, safety precautions should always be observed.

1. **READ and FOLLOW ALL SAFETY INSTRUCTIONS**
2. **Ensure there are no hot or live electrical surfaces**
3. **Use a lift for installation; the Product weighs up to 20 lbs.**
4. **Required tools and materials for the installation (not supplied with the Product):**
 - **6mm Allen key wrench**
 - **Connectors for electrical wire connections**
 - **Silicone sealant**

Installation

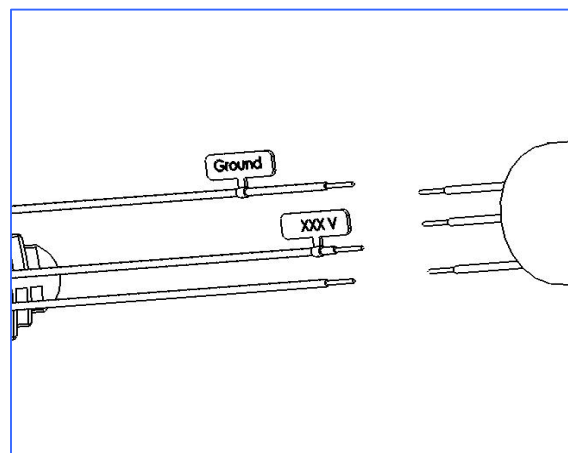
Step 1

Turn off or disconnect the electrical power to the light pole.

Step 2

Confirm the Product's input voltage matches or is compatible with the line voltage. Check both the Product barcode and the voltage tag. The Product only accepts 1 Φ (single phase) electricity.

Caution! enLux Lighting is not responsible or liable for incorrect power connection.





Step 3

Connect the wires accordingly

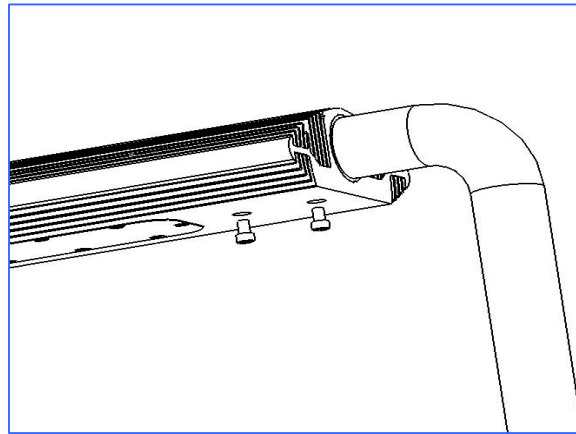
Black/White – Line voltage

Green – Ground

Make sure all wire connections are electrically insulated.

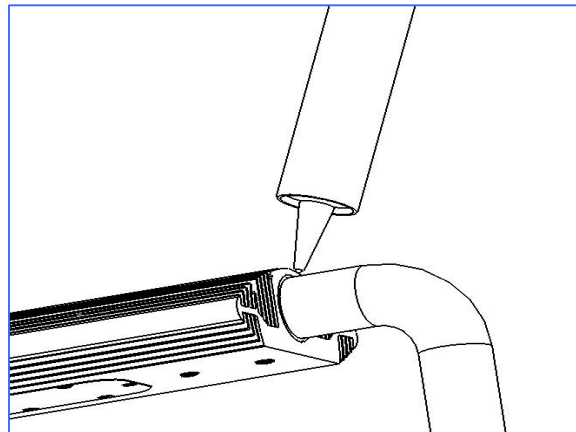
Step 4

Secure the Product to the pole by tightening the 2 mounting screws using the 5mm Allen key wrench



Step 5

Apply the silicone sealant on to the junction between the Product and the pole to ensure weather tight seal.



Step 6

The Product is installed and is ready to be operated.