



Instruction Manual for enLux DL1-TC Down Light into a Recess Can

Important

When using electrical equipment, safety precautions should always be observed.

1. READ and FOLLOW ALL SAFETY INSTRUCTIONS
2. Ensure there are no hot or live electrical surfaces

Installation

Step 1 Turn off or disconnect the electrical power to the recess can fixture.

Step 2 Confirm the Product's input voltage matches or is compatible with the line voltage.

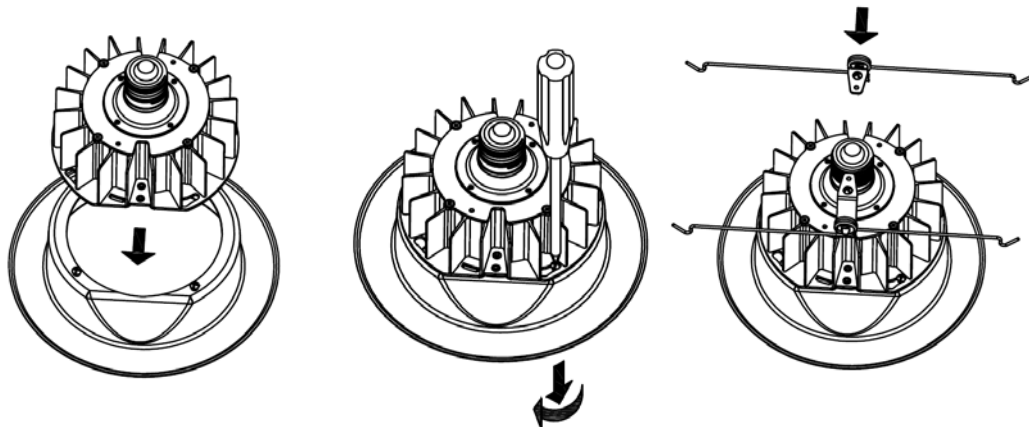
Check the voltage rating on the Product Bar Code label. The Product only accepts 1 Φ (single phase) electricity.

enLux Lighting is not responsible or liable for incorrect power connection.

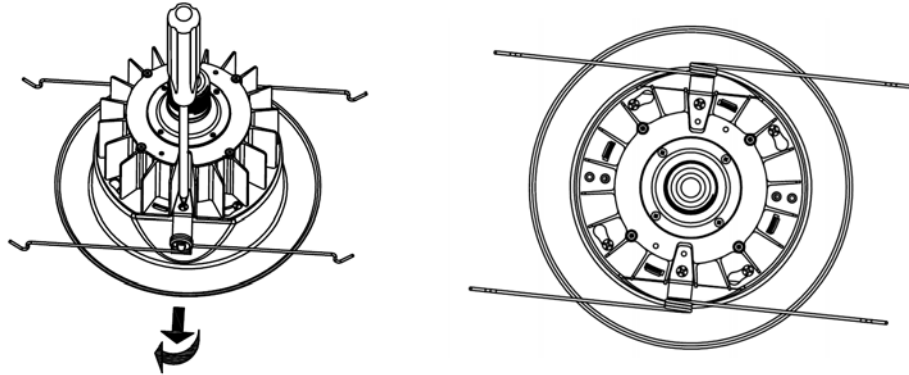


Step 3 Assemble trim and torsion spring bracket to the LED module.

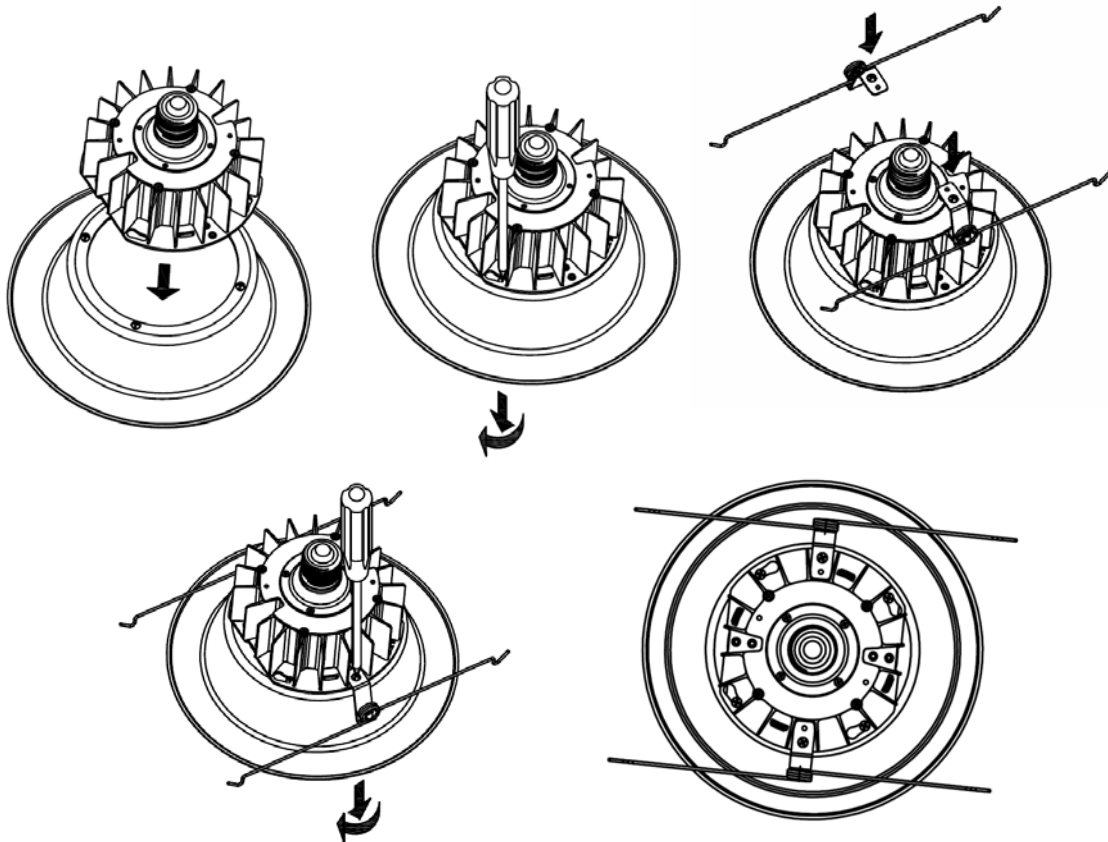
For DL1-TC5, Fit 5" Recess Can



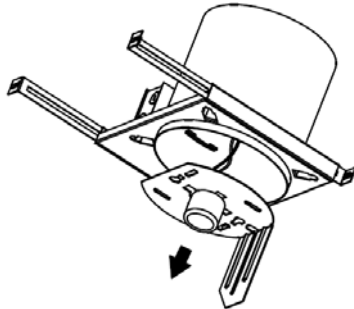
- The screws have NYLOK anti-loosening coating
- A smaller handle screwdriver may not have sufficient torque to tighten the screws
- The trim screws must be tightened firmly to insure good thermal contact
- Do not over torque the screw to prevent stripping the threads.



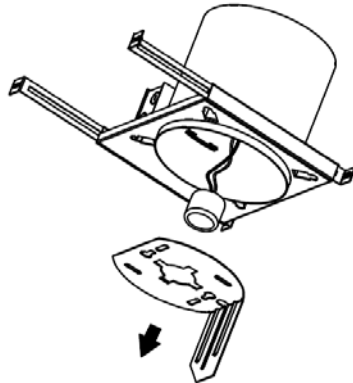
For DL1-TC6 and DL1-TC8, Fit 6" Recess Can



Step 4 Disassemble the socket bracket from the recess can fixture

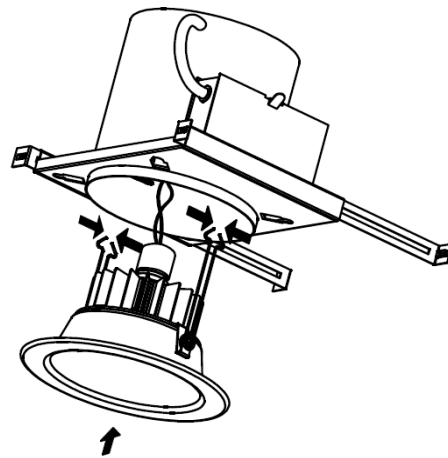


Step 5 Remove the E26/E27 socket from the bracket.



Step 5 Screw and connect the down light to the E26/E27 socket.

Step 6 Snap and secure both torsion springs to the torsion spring retainers located on the inside wall of the recess can.



Step 7 Push the down light up to against the ceiling.

Step 8 The Product is installed and is ready to be operated.