



Instruction Manual for enLux DL6-TC Down Light into a Ceiling Panel

Important

When using electrical equipment, safety precautions should always be observed.

1. READ and FOLLOW ALL SAFETY INSTRUCTIONS
2. Ensure there are no hot or live electrical surfaces

Installation

Step 1 Turn off or disconnect the electrical power to the light fixture.

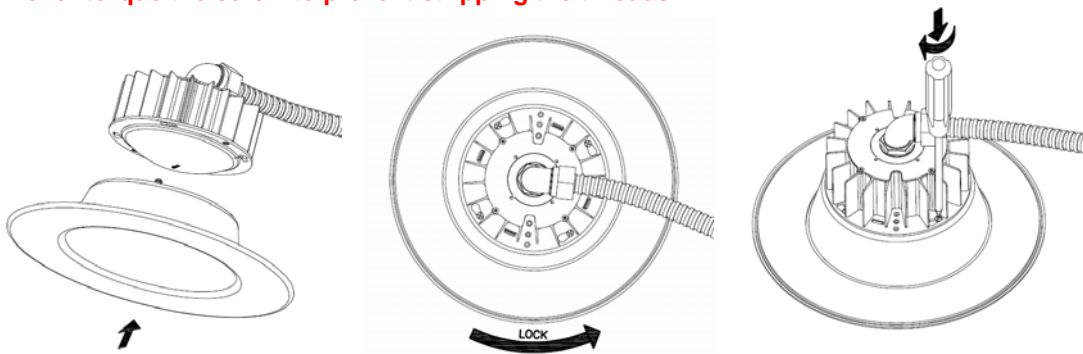
Step 2 Confirm the Product's input voltage matches or is compatible with the line voltage. Check the voltage rating on the Product Bar Code label. The Product only accepts 1Φ (single phase) electricity.

enLux Lighting is not responsible or liable for incorrect power connection.



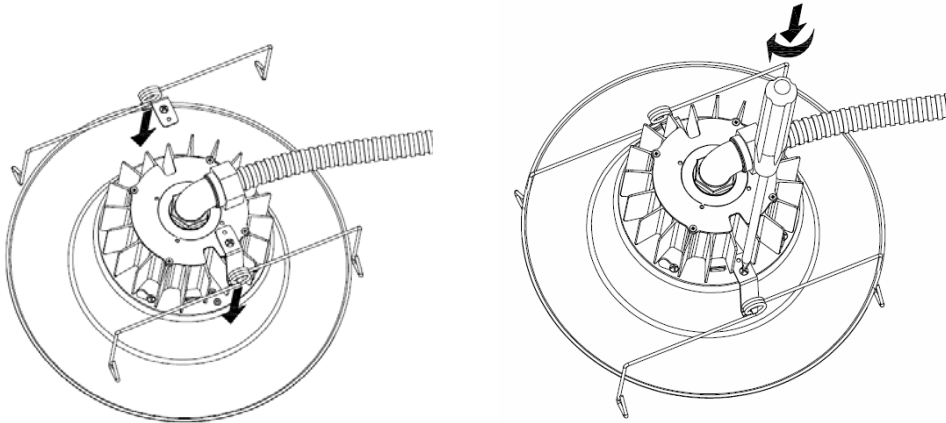
Step 3.1

Assemble the trim to the LED module. All screws need to be tightened firmly to insure good thermal contact. **The screws have NYLOK anti-loosening coating. A screwdriver with a smaller handle may not have sufficient torque to tighten those screws. Also do not over torque the screw to prevent stripping the threads.**

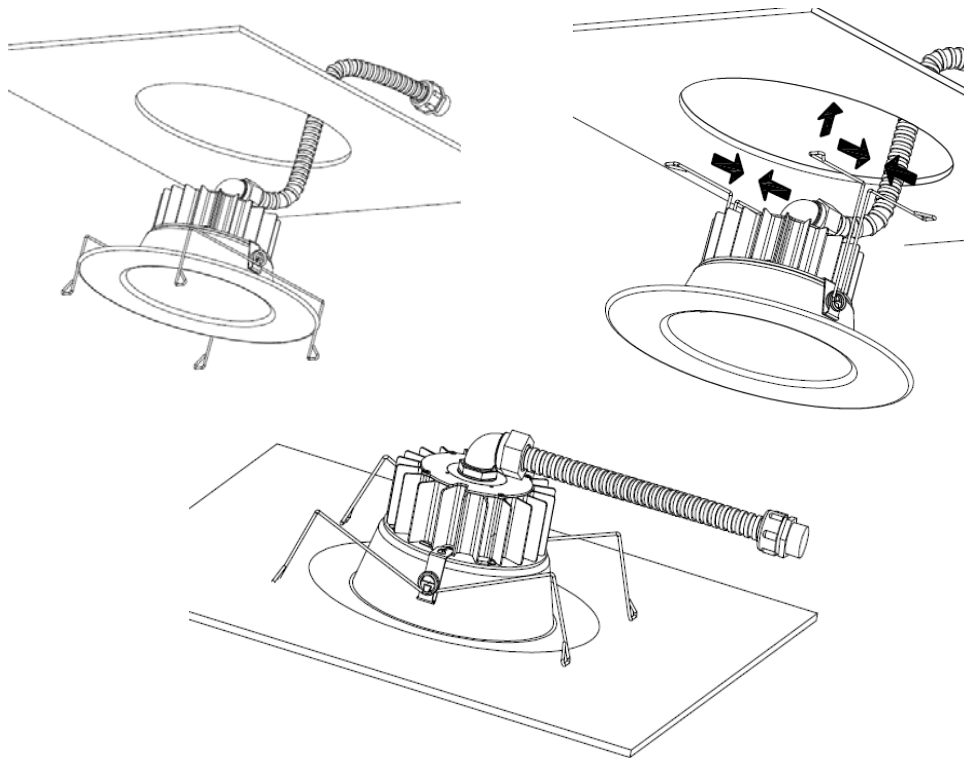


Step 4 Assemble the M spring bracket to the LED module.

The screws have NYLOK anti-loosening coating. A screwdriver with a smaller handle may not have sufficient torque to tighten those screws. Also do not over torque the screw to prevent stripping the threads.



Step 5 Snap the M Spring springs above the ceiling panel.



Step 6 The Product is installed and is ready to be operated.