



## Instruction Manual for enLux DL5/DL6 Series Down Light into a Recess Can

### Important

When using electrical equipment, safety precautions should always be observed.

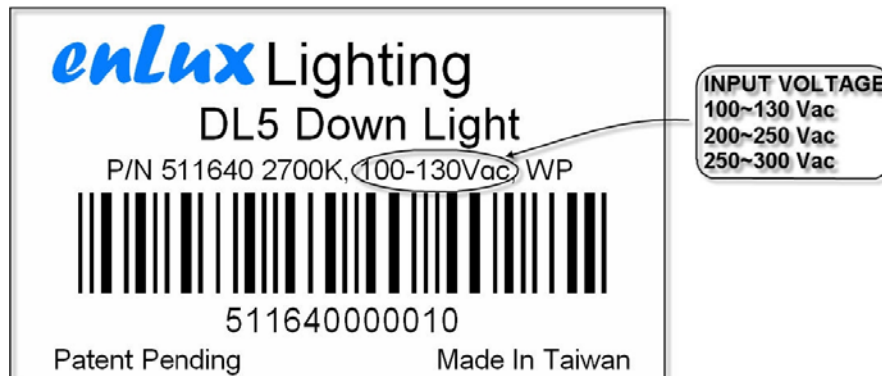
1. READ and FOLLOW ALL SAFETY INSTRUCTIONS
2. Ensure there are no hot or live electrical surfaces

### Installation

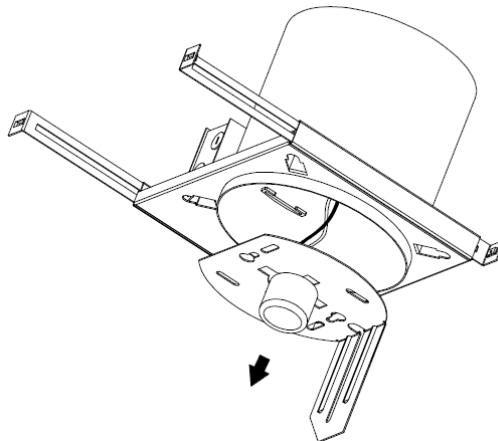
**Step 1** Turn off or disconnect the electrical power to the recess can fixture.

**Step 2** Confirm the Product's input voltage matches or is compatible with the line voltage. Check the voltage rating on the Product Bar Code label. The Product only accepts 1 $\Phi$  (single phase) electricity.

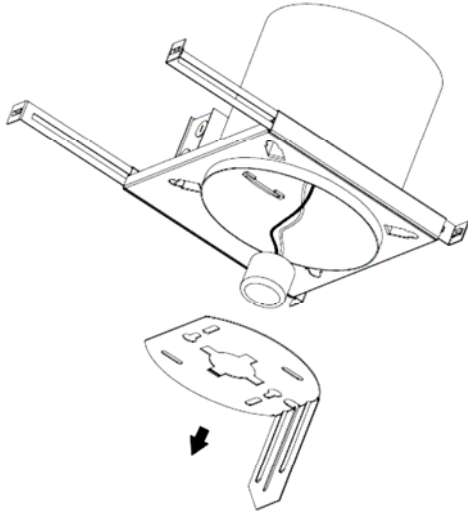
**enLux Lighting is not responsible or liable for incorrect power connection.**



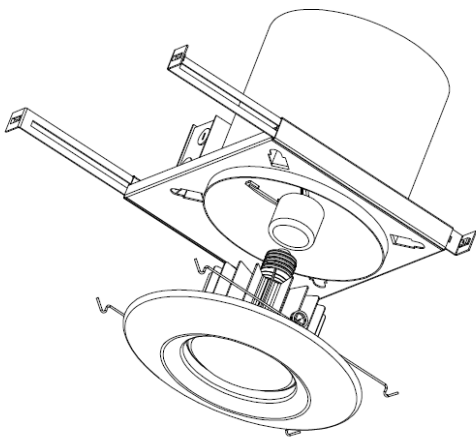
**Step 3** Disassemble the socket bracket from the recess can.



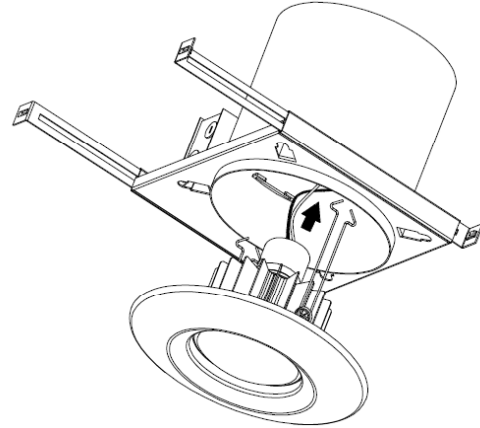
**Step 4** Remove the E26/E27 socket from the bracket.



**Step 5** Screw and connect the down light to the E26/E27 socket.



**Step 6** Snap and secure both torsion springs to the torsion spring retainers located on the inside wall of the recess can.



**Step 7** Push the down light up to against the ceiling.

**Step 8** The Product is installed and is ready to be operated.

