



Instruction Manual for enLux DL2-TC Down Light

Important

When using electrical equipment, safety precautions should always be observed.

1. READ and FOLLOW ALL SAFETY INSTRUCTIONS
2. Ensure there are no hot or live electrical surfaces

Installation

Step 1 Turn off or disconnect the electrical power.

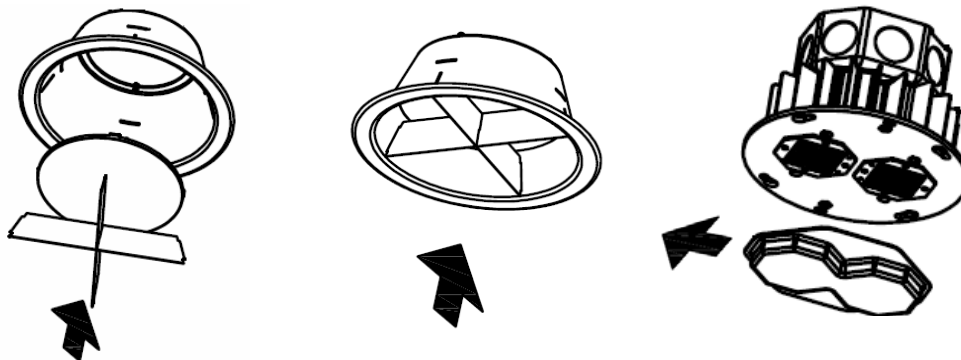
Step 2 Confirm the Product's input voltage matches or is compatible with the line voltage.

Check the voltage rating on the Product Bar Code label. The Product only accepts 1 Φ (single phase) electricity.

enLux Lighting is not responsible or liable for incorrect power connection.



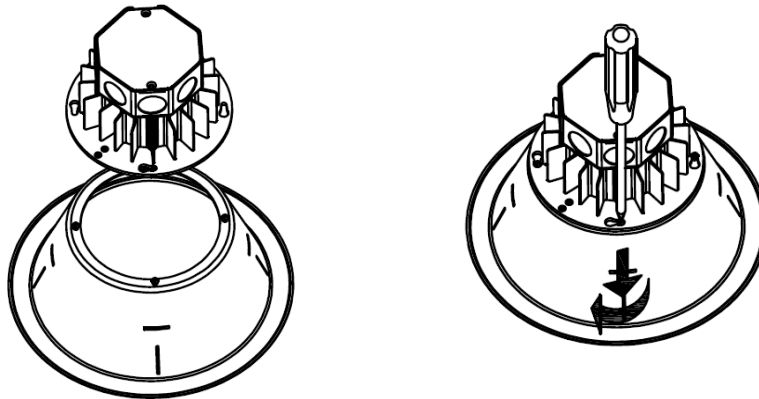
Step 3 Assemble the lens and the baffle into trim, and remove the light engine shield



The screws have NYLOK anti-loosening coating

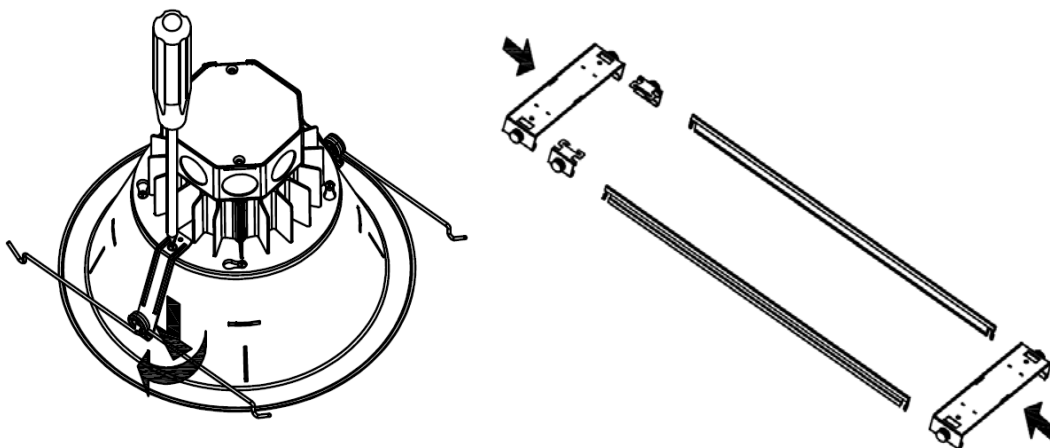
- A smaller handle screwdriver may not have sufficient torque to tighten the screws
- Do not use an electrical or pneumatic screwdriver.
- The trim screws must be tightened firmly to insure good thermal contact
- Do not over torque the screw to prevent stripping the threads.

Step 4 Assemble the trim and the LED module together



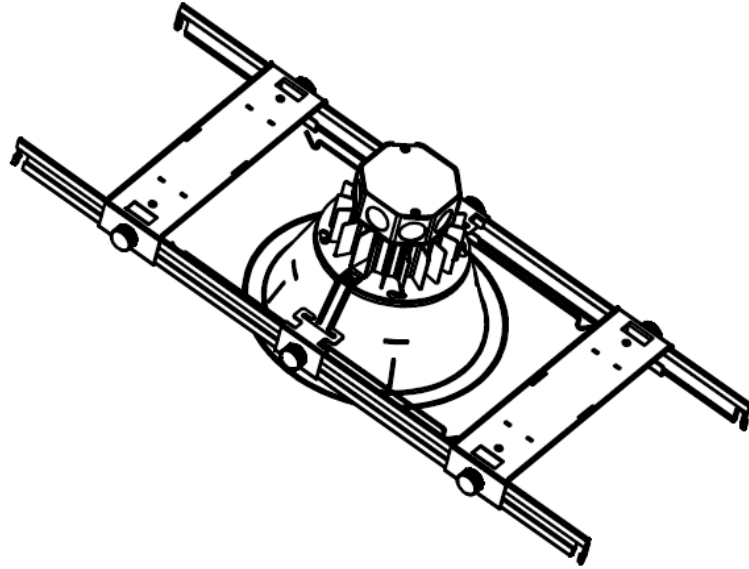
Drop Ceiling Installation

Step 5.1.1 Assemble the torsion spring to the DL2 subassembly, and assemble the rail frame.





Step 5.1.2 Place the rail frame on the drop ceiling rail, install the DL2 via the ceiling opening to the torsion spring retainers on the rail frame, make electrical connections, and the product is ready to be operated.



Sheetrock Ceiling Installation

Step 5.2 Assemble the M spring to the DL2 subassembly. Install the DL2 to the sheetrock ceiling, make the electrical connections, and the product is ready to be operated.

